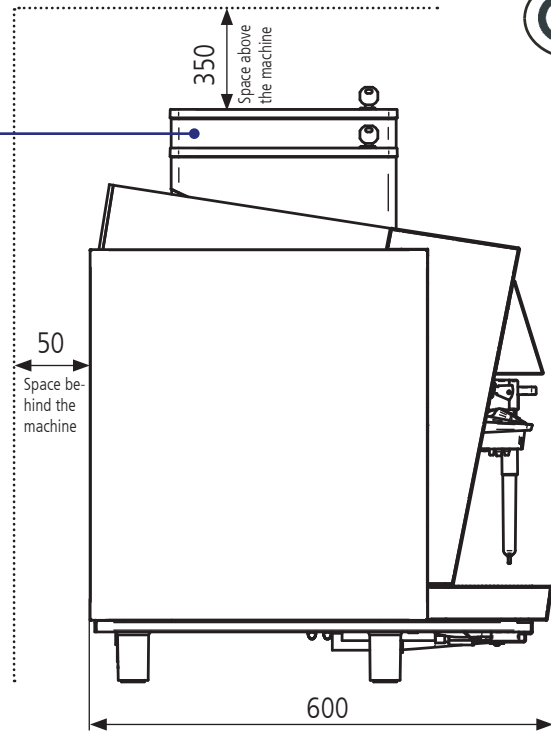
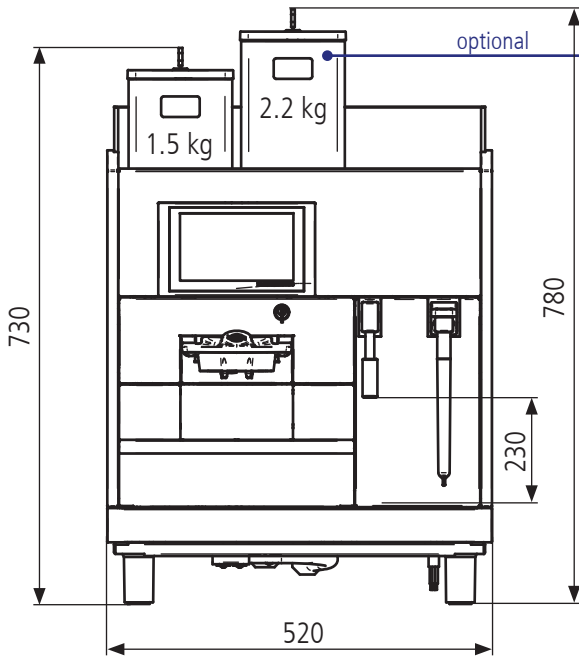
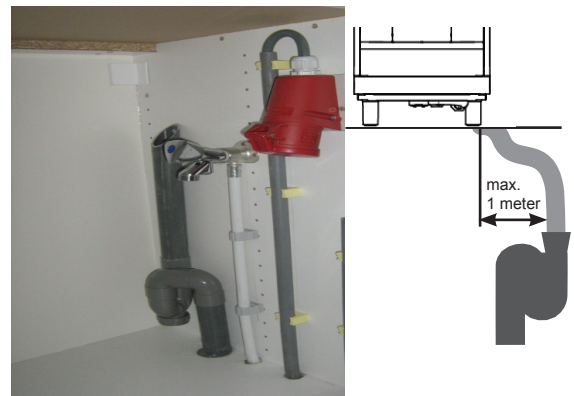


Cut sheet CTS



Automatic coffee machine Black&White 3 CTS	
Connections	380-415 VAC   3x16 A   50/60 Hz
Output	6300-7500 W
Dimensions	520 x 600 x 730 (780) mm (W / D / H)
Coffee spout height standard	80-173 mm
Coffee spout height with POD	80-163 mm
Weight	78 kg



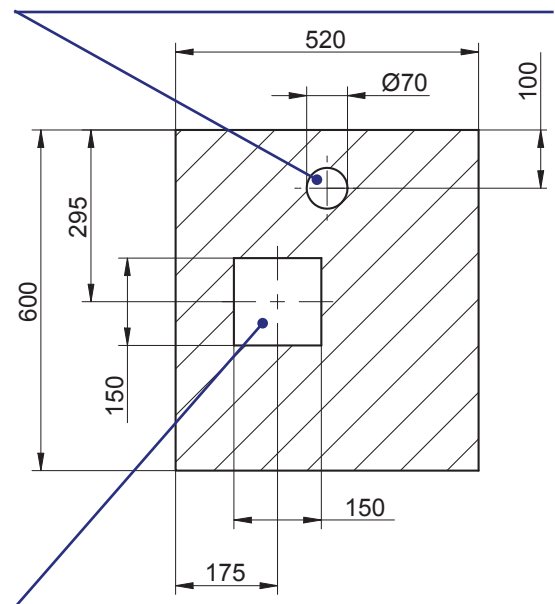
Water connection	3/8"
Water pressure	2-4 bar / 30-60 psi
Chlorine	none
TDS	70-200 ppm
Hardness	5-8 °dH (8-14 °fH)
pH	6.8-7.4
Alkalinity	less than 100 ppm
Iron	less than 0.25 ppm

Conversion table water hardness:

Water hardness	GE	FR	EN	Ppm	Mval/l
1° dH	1.0	1.79	1.25	17.8	0.357
1° fH	0.56	1.0	0.7	10.0	0.2
1° e	0.8	1.43	1.0	14.3	0.86
1° ppm	0.056	0.1	0.07	1.0	0.02
1 mval/l	2.8	5.0	3.5	50.0	1.0

For more information see Technical Manual.

Hole diameter 70mm for water inlet and outlet.  
Also possible for electric cords.



Hole 150 x 150mm for coffee grounds drawer.  
Special grounds drawer needed.